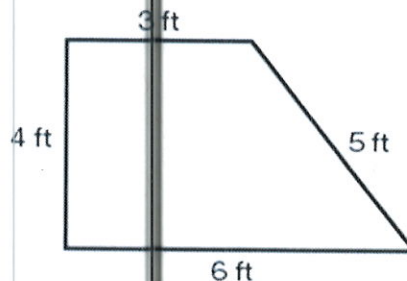


Instructions: Show all work. Use exact answers unless specifically asked to round. Be sure to complete all parts of each problem.

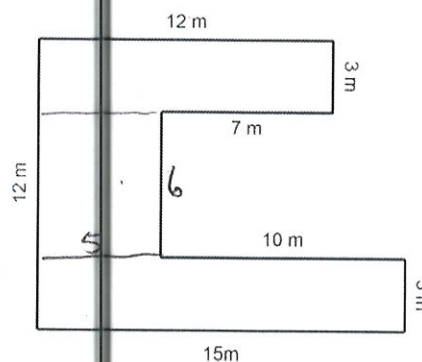
1. Find the area.

$$A = \frac{1}{2}(3+6)(4) = 18$$



2. Find the area.

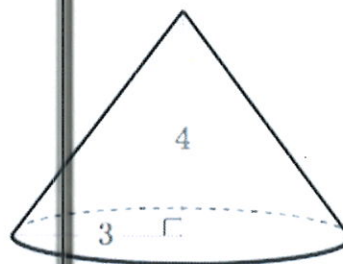
$$12 \times 3 + 3 \times 5 + 6 \times 5 = 111$$



3. Find the volume.

$$V = \frac{1}{3}\pi r^2 h =$$

$$\frac{1}{3}\pi(3)^2(4) = 12\pi$$



4. Find the surface area.

$$SA = 2\pi(5)(21) + 2\pi(5)^2$$

$$210\pi + 50\pi = 260\pi$$

